

The PRESET switch disables the control panel and sets this amp for the best sound to be used with your ROCKFORD FOSGATE stage kit audio system. Turn the switch OFF to manually adjust this amp.

**PRESET SETTINGS**

**M5-800X4**

- Rockford Fosgate Stages 3 & 4 SXS kits
- Front Level - 1 O'Clock
- Rear Level - 3 O'Clock
- Front/Rear EQ - MIN
- Input Switch - 4CH\*
- Front/Rear Crossover - 80Hz
- Front X-over Switch - HP
- Rear X-over Switch - LP

\* Input switches are not controlled via preset switch.

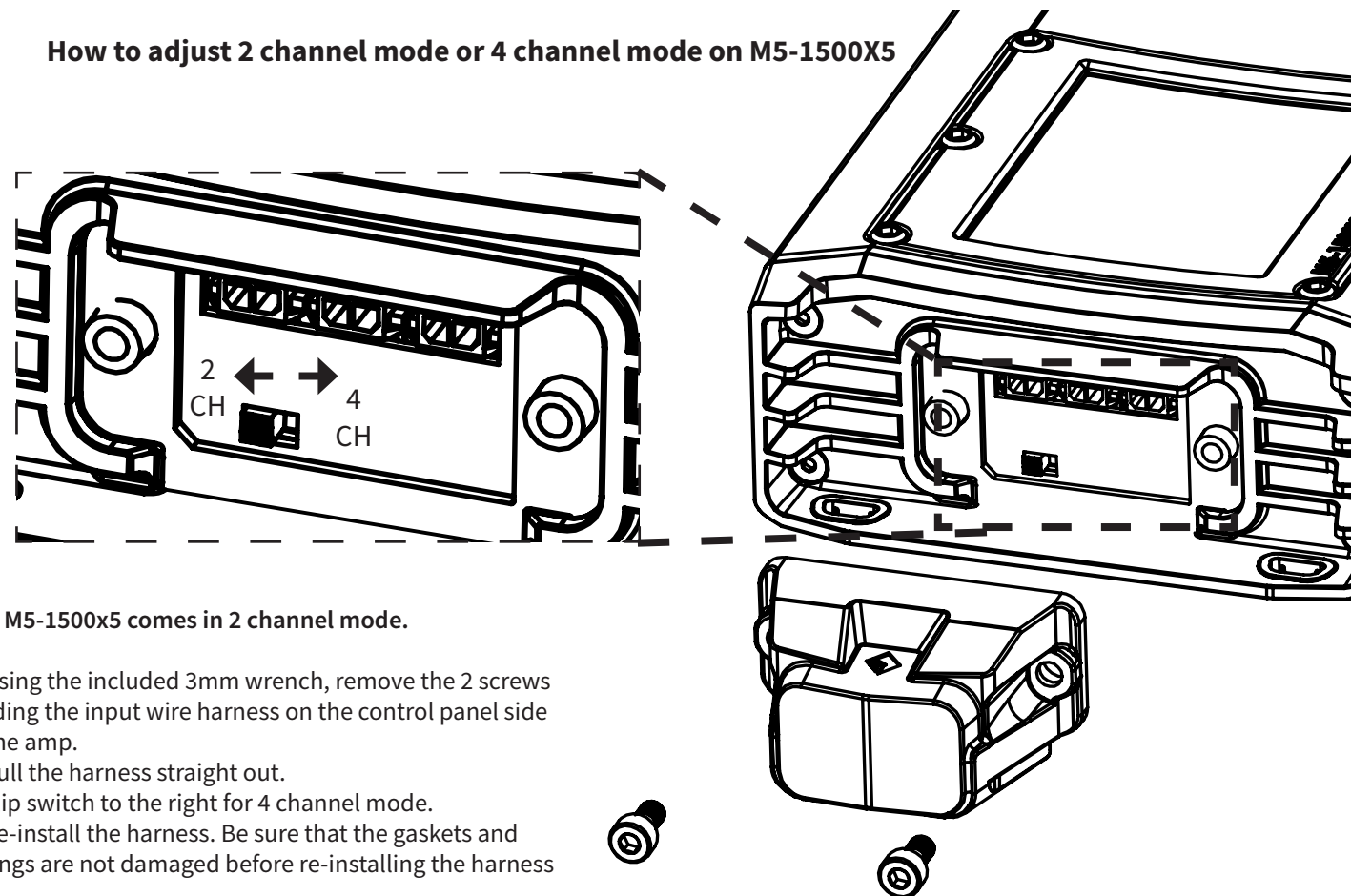
**M5-1000X1**

- Sub Level - 3 O'Clock
- Punch EQ - MIN
- Sub X-Over Switch - 80Hz

**M5-1500X5**

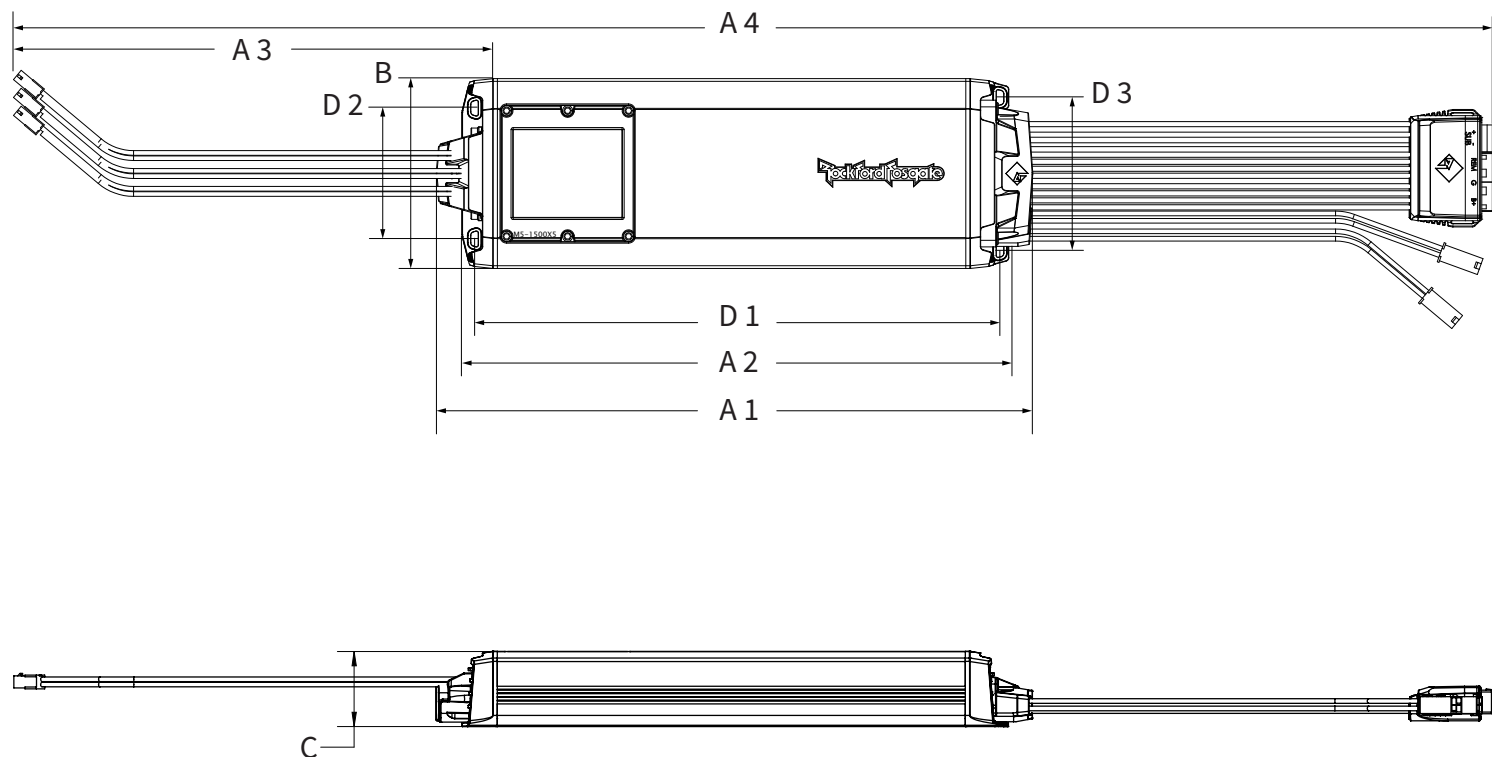
- Rockford Fosgate Stage 5 SXS kit
- Front /Rear Level - 1 O'Clock
- Sub Level - 3 O'Clock
- Front/Rear/Sub Punch EQ - MIN
- Front/Rear/Sub Crossover - 80Hz
- Front/Rear X-over Switch - HP
- Sub Input - ON\*
- Input Switch - 2CH\*

**How to adjust 2 channel mode or 4 channel mode on M5-1500X5**



The M5-1500x5 comes in 2 channel mode.

1. Using the included 3mm wrench, remove the 2 screws holding the input wire harness on the control panel side of the amp.
2. Pull the harness straight out.
3. Flip switch to the right for 4 channel mode.
4. Re-install the harness. Be sure that the gaskets and O-rings are not damaged before re-installing the harness



Model	M5-800X4	M5-1000X1	M5-1500X5
<b>A1 - Overall Amplifier Length</b>	9.7" (245.9mm)	9.7" (245.9mm)	13.4" (339.7mm)
<b>A2 - Chassis Length</b>	8.4" (213mm)	8.4" (213mm)	12.3" (311.4mm)
<b>A3 - Harness Length (Input/Output are the same length)</b>	12" (304.8mm)	12" (304.8mm)	12" (304.8mm)
<b>A4 - Total Length of Amplifier</b>	33.7" (855.5mm)	33.7" (855.5mm)	37.4" (949.3mm)
<b>B - Chassis Width</b>	4.25" (108.1mm)	4.25" (108.1mm)	4.25" (108.1mm)
<b>C - Chassis Height</b>	1.7" (42.7mm)	1.7" (42.7mm)	1.7" (42.7mm)
<b>D1 - Mounting Length</b>	7.8" (198.7mm)	7.8" (198.7mm)	11.8" (299.2mm)
<b>D2 - Mounting Width</b>	2.9" (74.5mm)	2.9" (74.5mm)	2.9" (74.5mm)
<b>D3 - Mounting Width (Input side, M5-1500X5 ONLY)</b>	N/A	N/A	3.4" (86.5mm)

# Warranty Information

Rockford Corporation offers a limited warranty on Rockford Fosgate products on the following terms:

- Length of Warranty**
- POWER Amplifiers – 2 Years
- BMW® Direct Fit Speakers – 2 Years
- PUNCH® & PRIME® Amplifiers – 1 Year
- Speakers, Signal Processors, Accessories and Capacitors – 1 Year
- All marine, motorcycle, motorsport products - 2 Years
- Any Factory Refurbished Product – 90 Days (receipt required)

**What is Covered**  
This warranty applies only to Rockford Fosgate products sold to consumers by authorized Rockford Fosgate dealers in the United States of America. Products purchased by consumers from an Authorized Rockford Fosgate Dealer in another country are covered only by that country's Distributor and not by Rockford Corporation.

**Who is Covered**  
This warranty covers only the original purchaser of Rockford product purchased from an authorized Rockford Fosgate dealer in the United States. In order to receive service, the purchaser must provide Rockford with a copy of the receipt stating the customer name, dealer name, product purchased and date of purchase.

Products found to be defective during the warranty period will be repaired or replaced (with a product deemed to be equivalent) at Rockford's discretion.

**What is Not Covered**  
Damage caused by accident, abuse, improper installation, operations, theft, water (on non-Element Ready products).

Any cost or expense related to the removal or re-installation of product.

Service performed by anyone other than Rockford or an authorized Rockford Fosgate service center.

Any product which has had the serial number defaced, altered, or removed.

Subsequent damage to other components.

Any product purchased outside the U.S.

Any product not purchased from an authorized Rockford Fosgate dealer. Refer to rockfordfosgate.com dealer locator for more detail.

**Limit on Implied Warranties**

Any implied warranties including warranties of fitness for use and merchantability are limited in duration to the period of the express warranty set forth above. Some states do not allow limitations on the length of an implied warranty, so this limitation may not apply. No person is authorized to assume for Rockford Fosgate any other liability in connection with the sale of the product.

**How to Obtain Service**

Please call 1-800-669-9899 for Rockford Customer Service. You must obtain an RA# (Return Authorization number) to return any product to Rockford Fosgate. You are responsible for shipment of product to Rockford.

**EU Warranty**

This product meets the current EU warranty requirements, see your Authorized dealer for details.



**ELEMENT READY™  
AMPLIFIERS**

- M5-800X4**
- M5-1000X1**
- M5-1500X5**

600 South Rockford Drive • Tempe, Arizona 85281 United States  
Direct: (480) 967-3565 • Toll Free: (800) 669-9899  
[rockfordfosgate.com](http://rockfordfosgate.com)

## Specifications

Model	CTA-2006 Dynamic Power* Rating	CTA-2006 Continuous Power Rating	THD @ Rated Power	Signal to Noise Ratio	Frequency Response	MIN/MAX Input Voltage	Low-pass Crossover Freq.	High-pass Crossover Freq.	Infra-sonic Freq.	Punch EQ	Signal Sense/DC Offset	Power Connections	Fused Rating	Operating Voltage Range	Topology / Class	IP Rating	Warranty
<b>M5-800X4</b>	125W x 4 @ 40hm 200W x 4 @ 20hm 400W x 2 @ 40hm Bridged	100W x4 @ 4-0hm 100W x4 @ 2-0hm 200W x 2 @ 40hm Bridged	<1.0%	>105dB	10Hz - 50kHz +/- 1dB	150mV -12Vrms	50-250Hz @12dB Per Octave	50-250Hz @12dB Per Octave	N/A	YES	YES	8 AWG	100A	9-16VDC	ad	IPX6 (Water spray)	2 YEAR
<b>M5-1000X1</b>	600W x 1 @ 40hm 900W x 1 @ 20hm 1000W x 1 @ 10hm	500W x 1 @ 4-0hm 750W x 1 @ 2-0hm 750W x 1 @ 1-0hm	<1.0%	>110dB	30Hz-245Hz +/- 1dB	150mV -12Vrms	50-250Hz @12dB Per Octave	50-250Hz @12dB Per Octave	N/A	YES	YES	8 AWG	120A	9-16VDC	bd	IPX6 (Water spray)	2 YEAR
<b>M5-1500X5</b>	125W x 4/ 400W x 1 @ 40hm 200W x 4/ 700W x 1 @ 20hm 700W x 1 @ 10hm (Sub Only) 400W x2 @ 4-0hms Bridged	100W x 4/ 400W x 1 @ 4-0hm 100W x 4/ 600W x 1 @ 2-0hm 600W x 1 @ 1-0hm (Sub Only)	<1.0%	>105dB 4CH/ >85dB Sub	10Hz - 50kHz +/- 1dB	150mV -12Vrms	50-250Hz @12dB Per Octave	50-250Hz @12dB Per Octave	30Hz @ 12dB Per Octave	YES	YES	4 AWG	200A	9-16VDC	Front/Rear ad/SUB bd	IPX6 (Water spray)	2 YEAR

\*Dynamic Power indicates actual, usable power delivered by the amplifier to the speakers when listening to music. Dynamic power ratings are based on CTA-2006 industry standards. Dynamic power has been provided to indicate the actual RMS power output performance of the amplifier in the real world.

**What is the IPX6 testing method?** It is the rating given after passing the testing method to show that this product will withstand water ingress of the given test. Here is the breakdown of everything needed for testing of the IPX6 rating.  
A 0.5” (12.5mm) nozzle with 15 psi (100 kPa) outputting 100 liters per min of water from a distance of 9.8’ (3 meters) from all directions for at least 3 minutes.



Power ratings on Rockford Fosgate amplifiers conform to CTA-2006 industry standards. These guidelines mean your amplifier's output power ratings are REAL POWER numbers, not inflated marketing ratings.